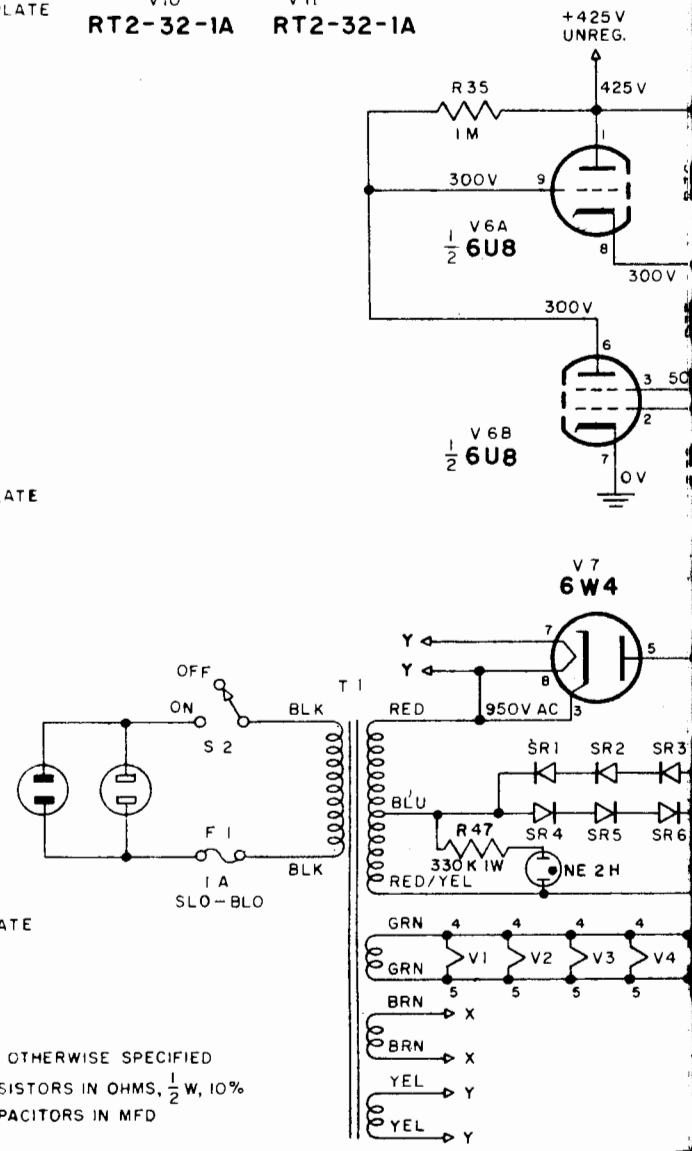
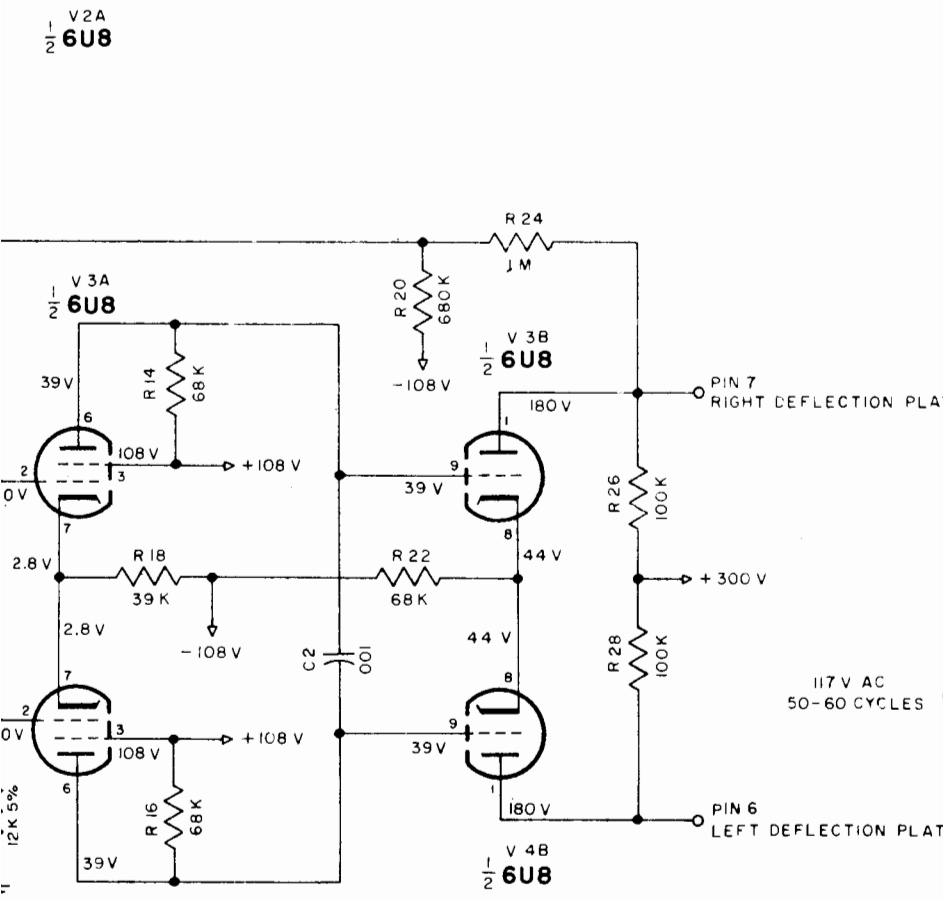
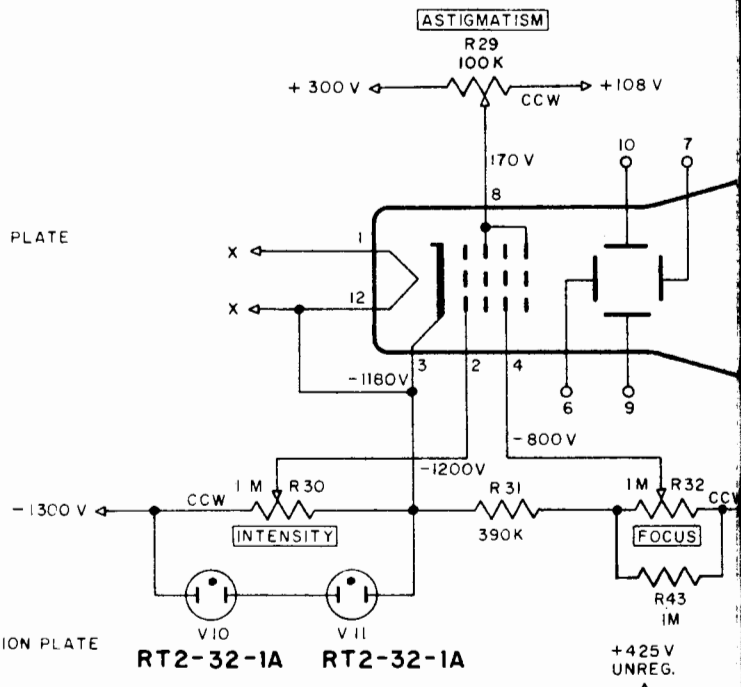
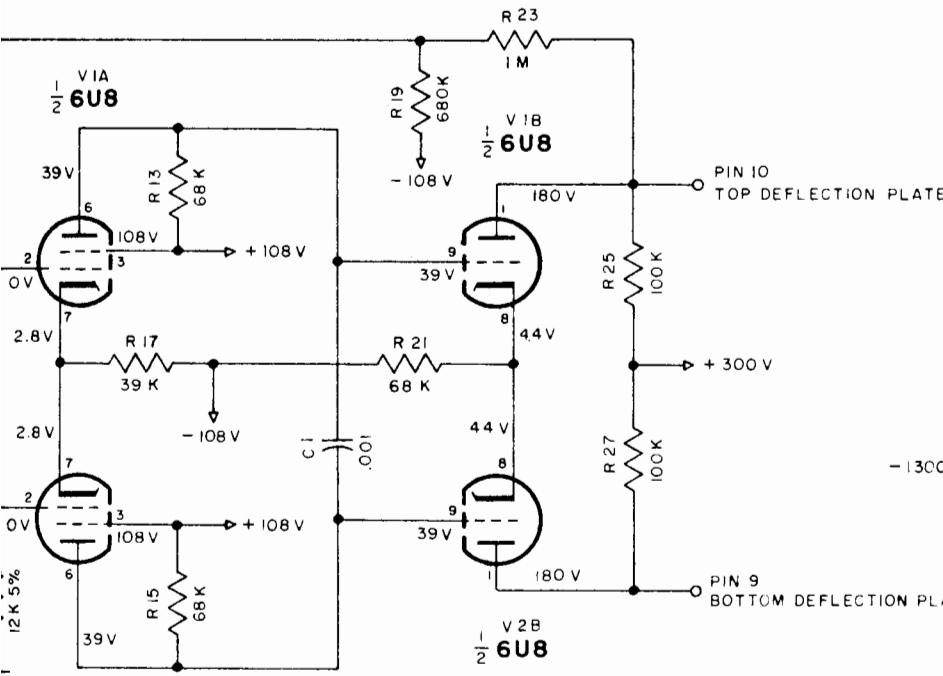


LIFIER



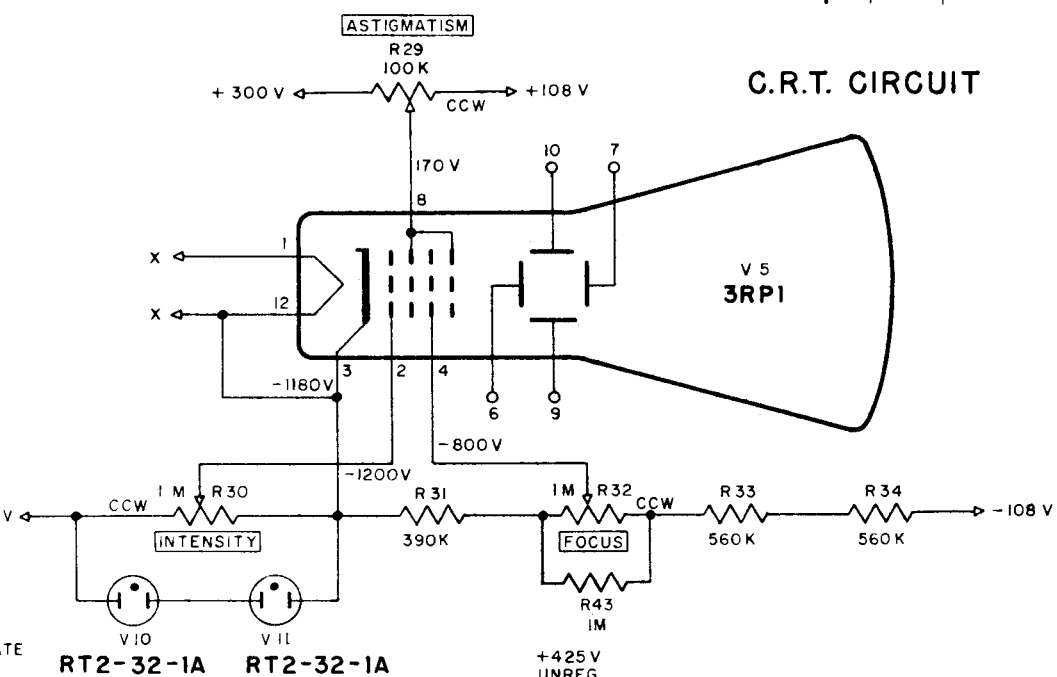
AMPLIFIER

ALL VOLTAGES MEASURED UNDER FOLLOWING CONDITIONS:
 1- USE OF 11 MEGOHMS INPUT IMPEDANCE VTVM VOLTMETER.
 2- ALL VOLTAGES $\pm 10\%$, WITH RESPECT TO GROUND
 3- A.C. INPUT AT 117 V 50-60 CPS.
 4- NO SIGNAL AT INPUT TERMINALS.
 5- MODE SELECTOR AT TEST POSITION

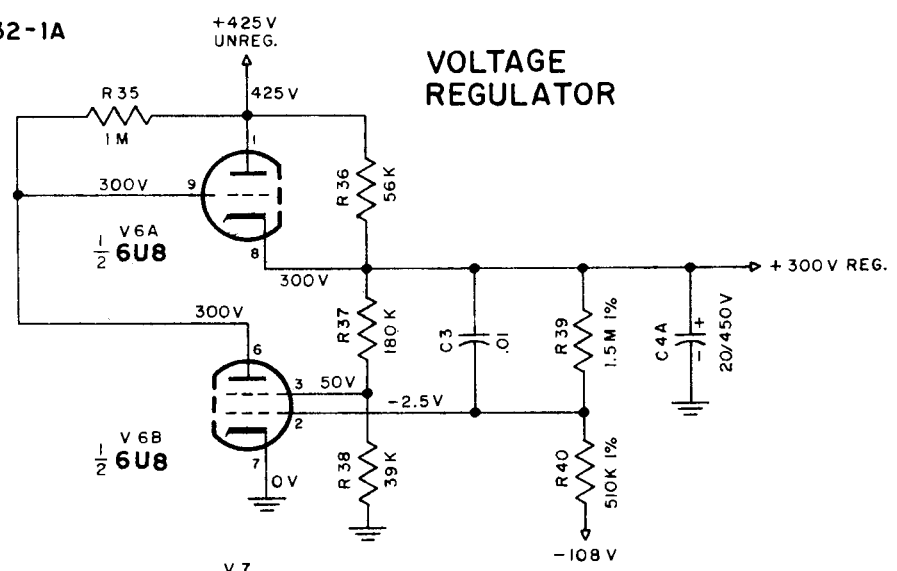
UNLESS OTHERWISE SPECIFIED
 ALL RESISTORS IN OHMS, $\frac{1}{2}$ W, 10%
 ALL CAPACITORS IN MFD
 S1 SHOWN IN CCW POSITION

REV	C N	REVISION	DATE	BY	CHKD	APPD
A						
B						
C						

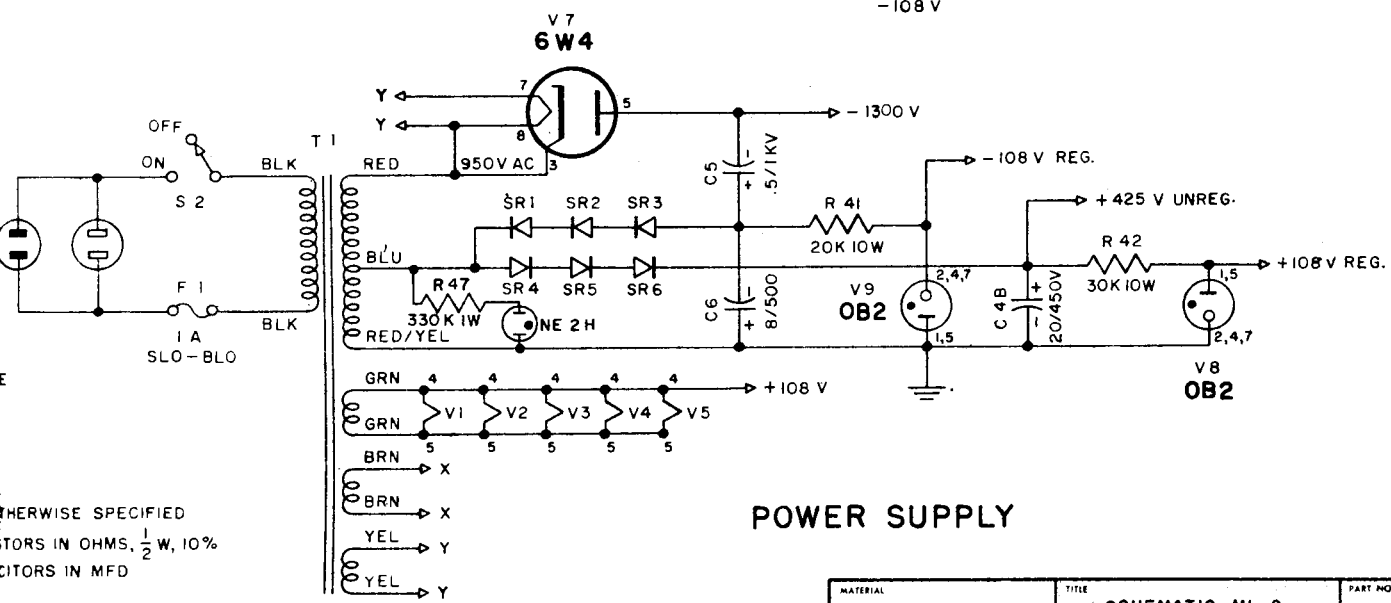
C.R.T. CIRCUIT



VOLTAGE REGULATOR



POWER SUPPLY



OTHERWISE SPECIFIED
 RESISTORS IN OHMS, 1/2 W, 10%
 CAPACITORS IN MFD
 IN CCW POSITION

SC 141-118

MATERIAL	TITLE	PART NO
FINISH	SCHEMATIC, MI-2	USED ON
TOLERANCES - Unless otherwise specified - 1/2" Angles - 3/16 Fractions - .005 Decimals	McIntosh LABORATORY INC. 2 Chambers St. Binghamton, N. Y.	DWG NO
SCALE	DRN BY VG	DATE 3.8.63
CHKD	APPD	REV
		SC 141-118